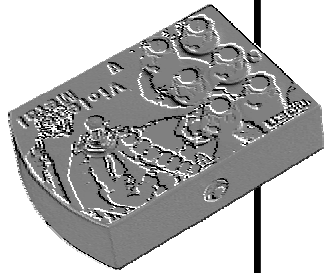


MOEN

Guitar compact effect series

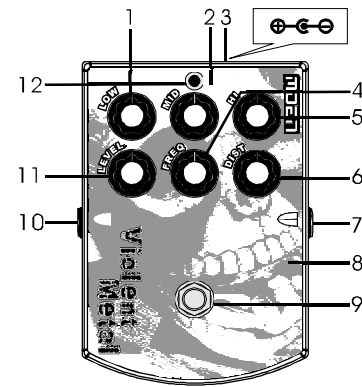
MO-VM Violent Metal



Features:

- Special designed “V” type EQ circuit produces insane sound.
- HIGH/MID/LOW with MID deviating Eqing creates all kinds of metal tones.
- Electrical stomp switch.

HONGKONG MOEN TECHNOLOGY CO., LTD



- 1. LOW**
- Low Frequency Equalizer Knob.
- 2. MID**
- MID Frequency Equalizer Knob.
- 3. DC 9V**
- Power Jack, Positive Ground DC 9V.
- 4. FREQ**
- MID Frequency Deviating Equalizer Knob.
- 5. HI**
- High Frequency Equalizer Knob.
- 6. DIST**
- Distortion Gain Knob.

- 7. IN**
- Guitar Signal Input Jack.

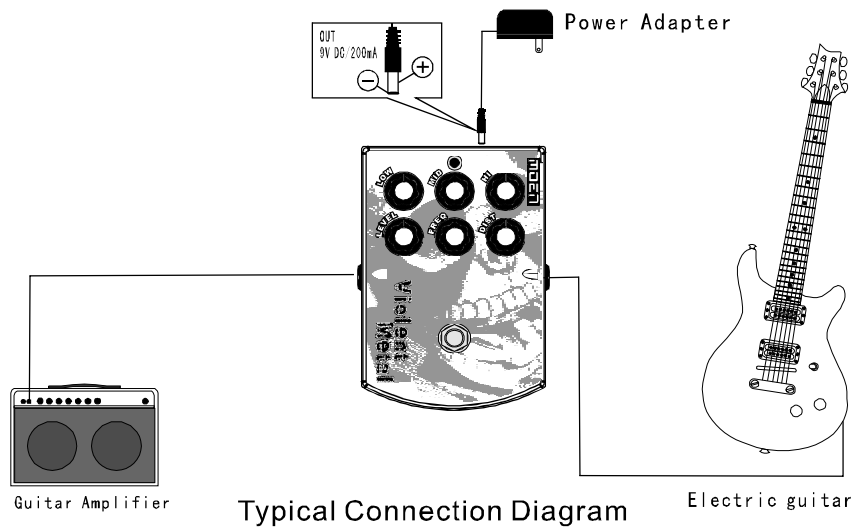
- 8. ENCLOSURE**
- Solid Metal Enclosure.

- 9. STOMP SWITCH**
- Effect / Bypass Switch.

- 10. OUT**
- Guitar Signal Output Jack.

- 11. LEVEL**
- Output Level Knob.

- 12. LED INDICATOR**
- ON/Effect, OFF-Bypassed.



Note: The power will be off when the input plug is disconnected.