

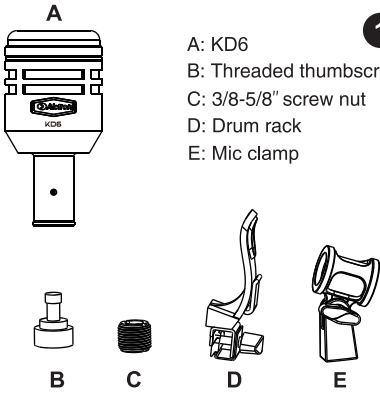
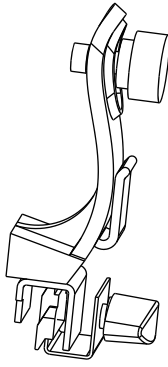
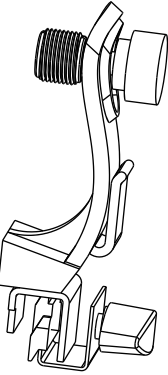
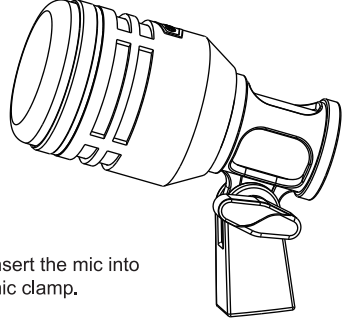
T8700II DRUM KIT MIC

GENERAL INTRODUCTION

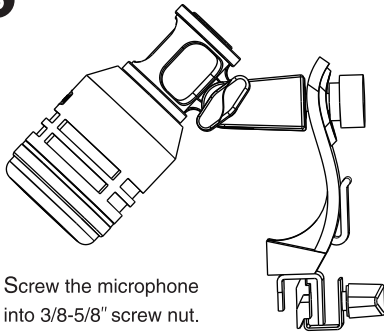
T8700II is a drum microphone set, composed by KD6, SD2, and DM-3. KD6 features outstanding low-frequency response helping to pick up powerful and vitality sound. It suits for bass drum such instruments. With better mid-low frequency, SD2 optimizes for use on tom and snare applications. DM-3 small size mic is specifically designed for cymbals, piano and other instruments pickup. It provides warmth and natural sound quality. This mic kit owns electro acoustic which suits for jazz drum and strike drum.

HOW TO USE MICROPHONE

KD6

 <p>A: KD6 B: Threaded thumbscrew C: 3/8-5/8" screw nut D: Drum rack E: Mic clamp</p>	<p>1</p>  <p>2</p> <p>Insert the threaded thumbscrew into drum rack.</p>
 <p>3</p> <p>Screw the 3/8-5/8" screw nut into threaded thumbscrew.</p>	 <p>4</p> <p>Insert the mic into mic clamp.</p>

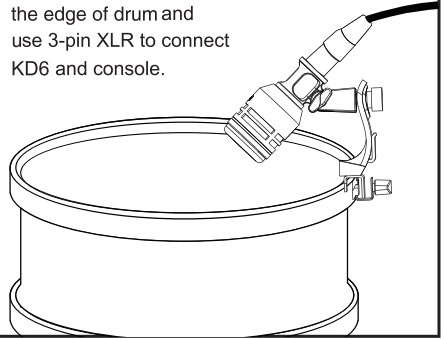
5



Screw the microphone into 3/8-5/8" screw nut.

6

Clamp the drum rack to the edge of drum and use 3-pin XLR to connect KD6 and console.

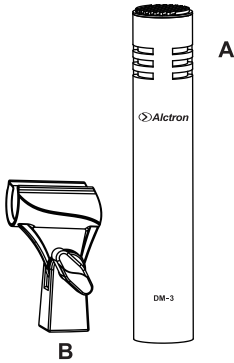


NOTE: SD2 installtion method is the same as KD6.

DM-3

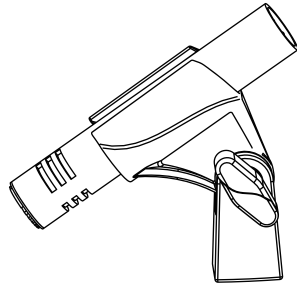
1

A: DM-3
B: Clamp



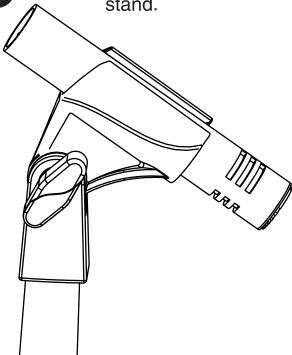
2

Insert the microphone into clamp.



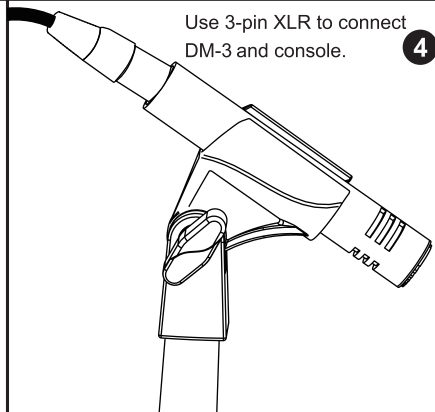
3

Screw the clamp into microphone stand.

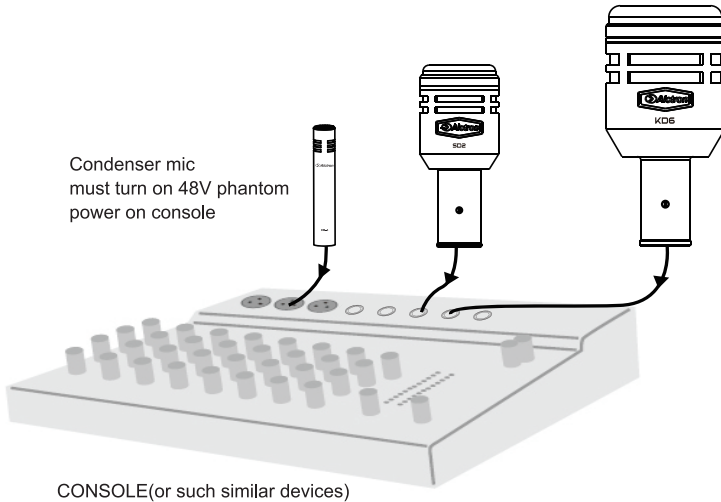


4

Use 3-pin XLR to connect DM-3 and console.



APPLICATION



KD6

- * Mic type: dynamic
- * Polar pattern: hyper-cardioids
- * Frequency response: 50hz-20khz
- * Output impedance: 150ohm
- * Sensitivity: -51dB±3dB
- * Connector: 3-pin XLR

SD2

- * Mic type: dynamic
- * Polar pattern: cardioids
- * Frequency response: 50hz-20khz
- * Output impedance: 150ohm
- * Sensitivity: -51dB±3dB
- * Connector: 3-pin XLR

DM-3

- * Polar pattern: cardioids
- * Sensitivity: -45dB±2dB
- * Frequency response: 20hz-20khz
- * Output impedance: 200ohm±30%
- * Max SPL: 136dB
- * S/N ratio: 66dB

Copyright © Ningbo Alctron Electronics Technology CO.,LTD. All rights reserved. Specifications and appearance subject to change without notice.

Ningbo Alctron Electronics Technology CO.,LTD.
No.76 SanCheng Road, XiuFeng Industrial Area,GaoQiao Town, NingBo, China.
Tel:+0086 574 87150672
Fax:+86 574 87157176
E-mail:info@alctron-audio.com
www.alctron-audio.com

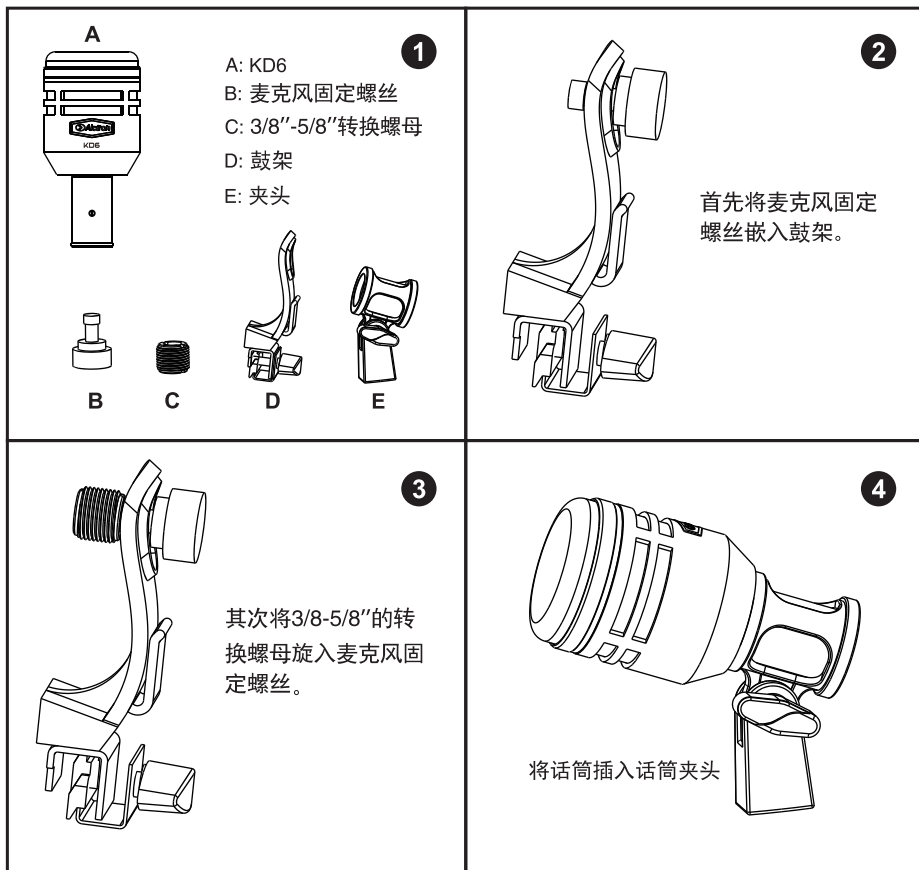
T8700II鼓组话筒套装

产品介绍

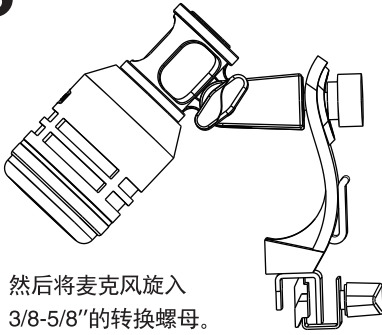
T8700II是一鼓组话筒套装，有KD6，SD2，DM-3组成。KD6的低频响应饱满圆润，能够拾取强劲且富有活力的声音，适合于低音鼓此类乐器。拥有良好的中低频响应的SD2，能够更好的拾取军鼓和通鼓的声音。DM-3小型电容话筒，适用于吊镲，踩镲的录音需求，给您提供温暖自然的原始音质。此款鼓组话筒具有电声特性是打击鼓，爵士鼓的理想选择。

如何使用麦克风

KD6



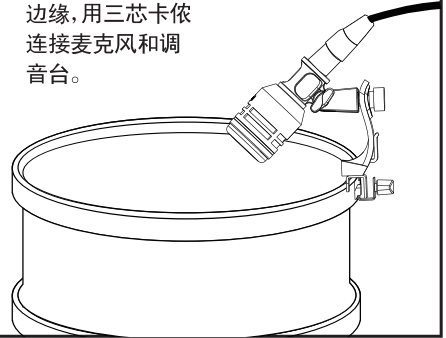
5



然后将麦克风旋入
3/8-5/8"的转换螺母。

6

再将鼓架夹在鼓的
边缘,用三芯卡侬
连接麦克风和调
音台。

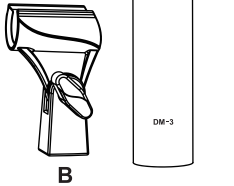


注意: SD2 的安装方式跟KD6 的安装方式一样。

DM-3

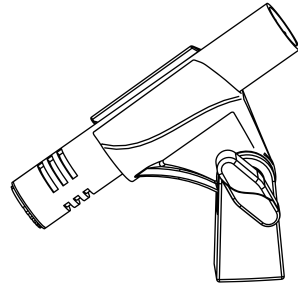
1

A: DM-3
B: 鼓夹



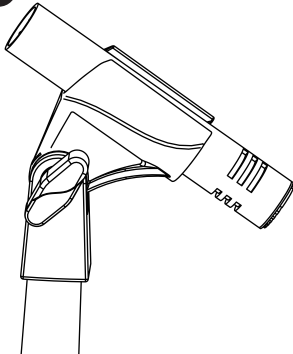
2

首先将麦克风嵌入鼓夹。



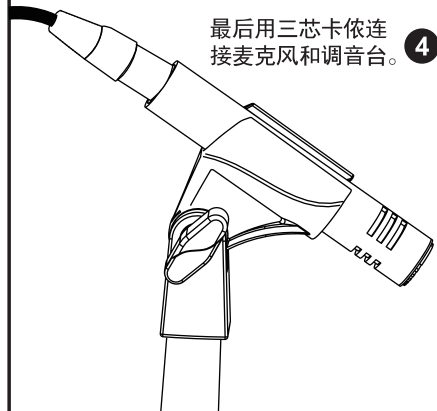
3

然后将鼓夹旋入麦克风支架。

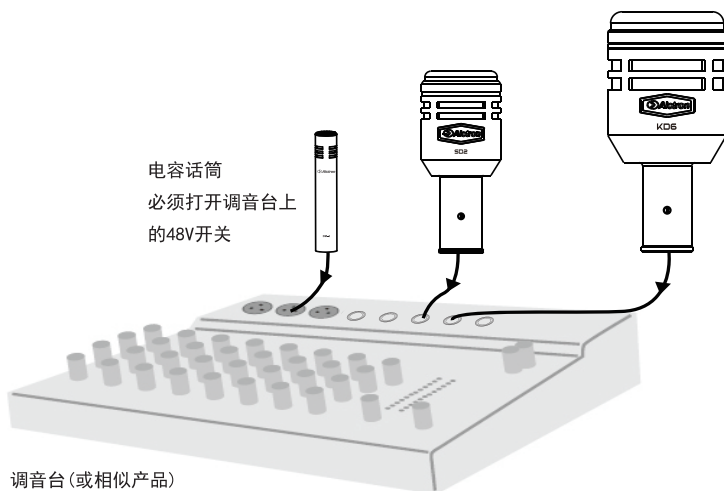


4

最后用三芯卡侬连
接麦克风和调音台。



▲ 注意事项



产品参数

KD6

- * 话筒类型： 动圈
- * 指向性： 超心型
- * 频响： 50hz-20khz
- * 输出阻抗： 150ohm
- * 灵敏度： -51dB±3dB
- * 接口： 3针卡农

SD2

- * 话筒类型： 动圈
- * 指向性： 心型
- * 频响： 50hz-20khz
- * 输出阻抗： 150ohm
- * 灵敏度： -51dB±3dB
- * 接口： 3针卡农

DM-3

- * 指向性： 心型
- * 灵敏度： -45dB±2dB
- * 频响： 20hz-20khz
- * 输出阻抗： 200ohm±30%
- * 最大声压级： 136dB
- * 信噪比： 66dB

版权所有©宁波奥创电子科技有限公司,所有权保留。必要的技术数据和外观更改恕不另行通知。

宁波奥创电子科技有限公司

地址：浙江省宁波市海曙区秀丰工业区三成路76号

电话：0574-88011699

传真：0574-87157176

邮箱：sales@alctron-audio.com

网址：http://www.alctron-audio.com 全国统一服务热线：4000-160-112