

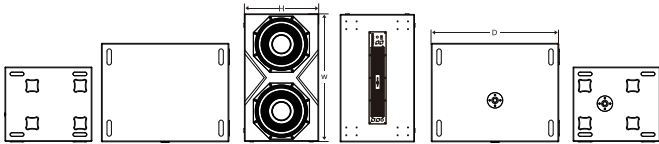
K-LA218-DSP

K-LA218-DSP, an active DSP-controlled Dual 18" subwoofer, is designed to meet the high requirements of touring performance, rental and fixed installation.

The LF drivers of K-LA218-DSP are two customized Audiocenter 18" drivers (4" voice coil).

User Selectable 3 low-pass filters (80Hz, 100Hz, 120Hz) in K-LA218-DSP are available for the users to choose according to different environments and music styles.

K-LA218-DSP is a perfect match for all Audiocenter full range speakers, extending band width of frequency response and delivering powerful, impressive, punchy bass sound.



Dimension(W×H×D): 1080×595×760mm

FEATURES

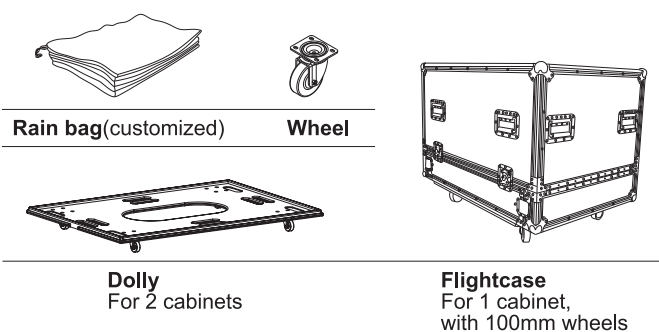
- Hi end digital controller on board(DSP) with 96KHz signal sampling frequency, 56bit precision
- Standby mode automatically if without signal input for 15mins
- Class D amplifier from PASCAL
- Advanced cooling system in the driver
- Rock solid humidity free birch plywood CNC made cabinet
- Comprehensive accessories suitable for different applications



SYSTEM CONFIGURATION

- K-LA, K-LA-DSP Series line array

ACCESSORIES



Rain bag(customized)

Wheel

Dolly
For 2 cabinets

Flightcase
For 1 cabinet,
with 100mm wheels

SPECIFICATION

Type	Active DSP-controlled Compact Subwoofer
Frequency Response (-6dB anechoic chamber)	32Hz-150Hz
Maximum Calculated SPL/1M	140dB
LF Driver	Customized Audiocenter ferrite driver, 4" voice coil
AMPLIFIER	
Amplifier Circuitry	Class D
Power(RMS standards)	2800W
Frequency Response (1W 8Ω 2ch)	20Hz-6KHz(±0.5dB)
Intermodulation Distortion	< 0.05%
Total Harmonic Distortion	< 0.05%
Protection	DC protection, short circuit protection, overheat protection, input overload protection, output overload protection, soft startup protection, overvoltage protection, undervoltage protection
Cooling System	Cooling with fans
DSP	
Processor	96KHz signal sampling frequency, 56bit precision
Presets	80Hz, 100Hz, 120Hz
Crossover	Controlled by DSP
Output/Input	
Signal Input	1×NEUTRIK® female XLR
Signal Output	1×NEUTRIK® male XLR
Power Input	Power connector
Working Voltage	85V-265V 50Hz (60Hz)
Cabinet	
Cabinet Material	Russian birch plywood CNC made
Cabinet Color	Black is standard and default color. Consult with Audiocenter sales team for other customized colors
Dimension(W×H×D)	1080x595x760mm
Net Weight	101.0Kg