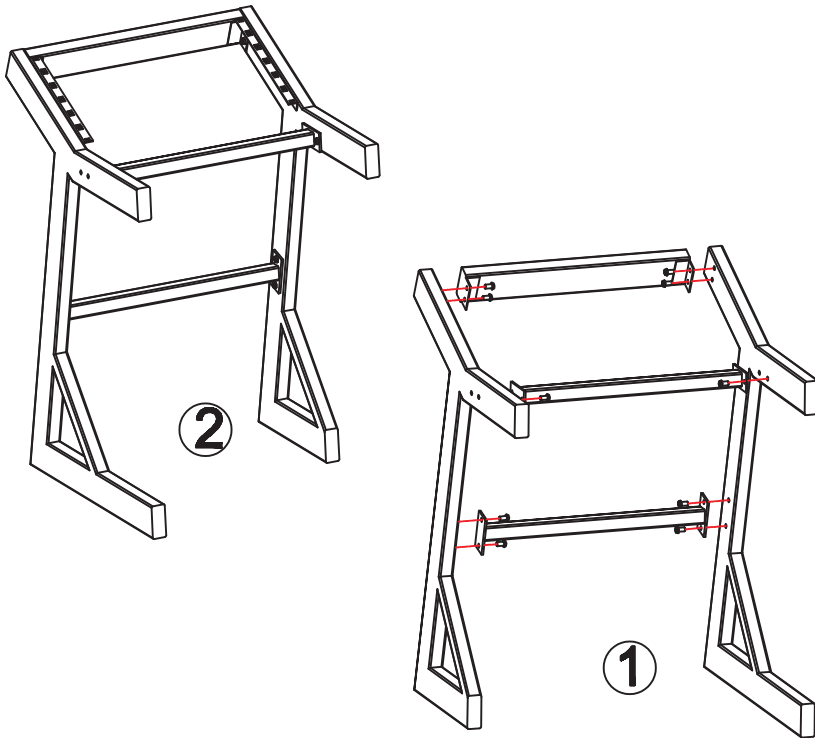


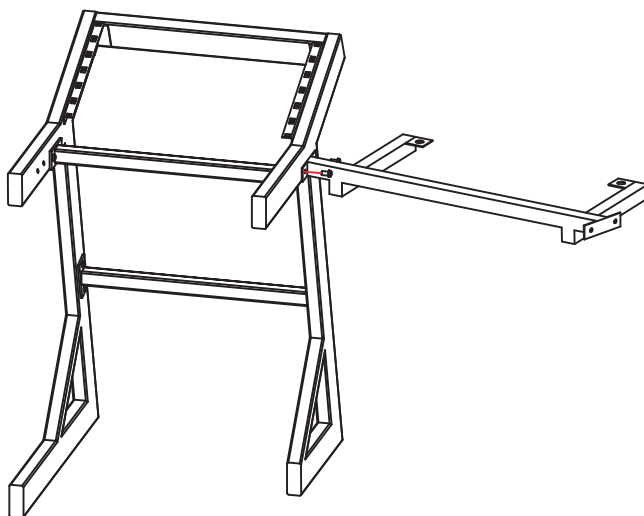
## Step 1 of 7

**Assemble the crossbars to connect each side leg.**



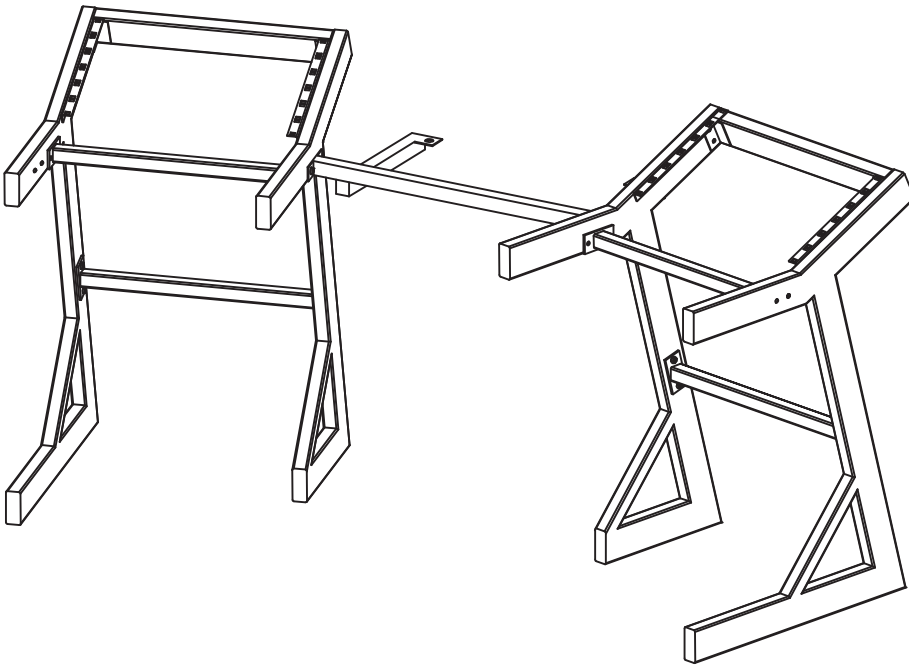
## Step 2 of 7

**Connect two side racks with middle crossbar.**



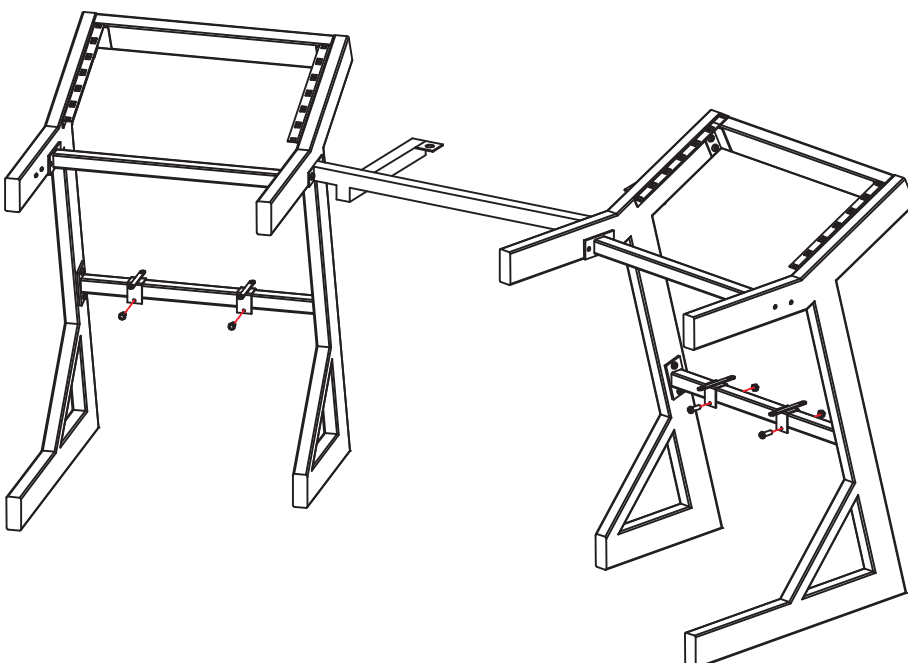
## Step 3 of 7

**Connect two side racks  
with middle crossbar.**



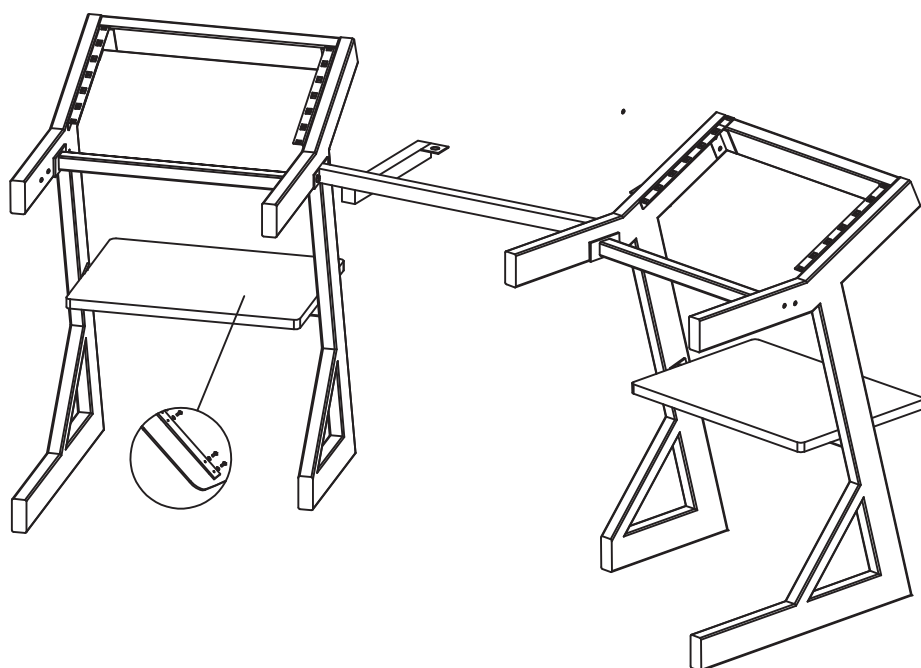
## Step 4 of 7

**Add the mounting support  
on the bottom crossbars  
of each side rack.**



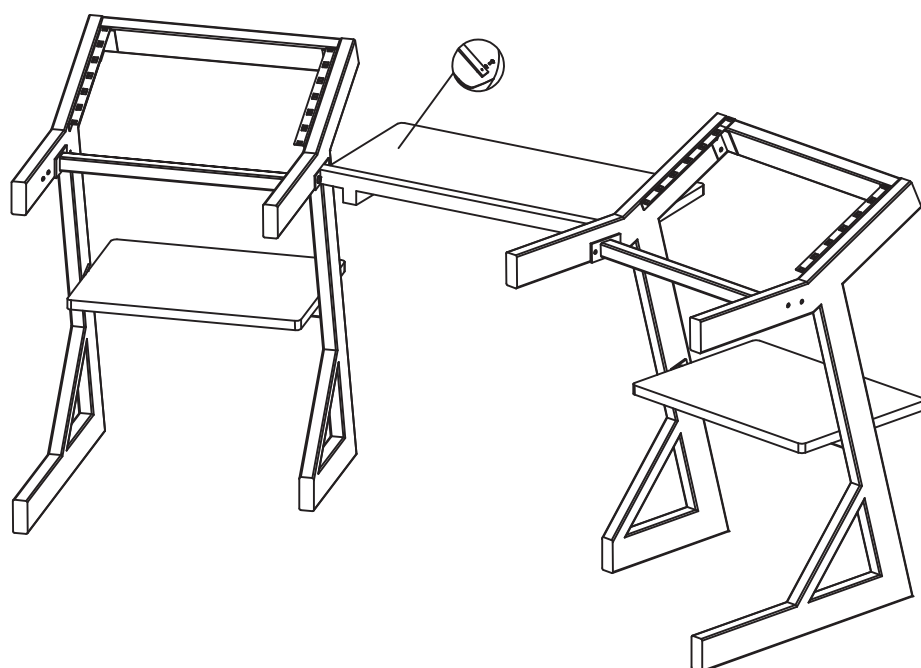
## Step 5 of 7

Place on the bottom shelves on the bottom crossbars, using screws to fix them.



## Step 6 of 7

Place on the back shelf on as per drawing, you can choose the depth you need, then fix them with screws.



## Step 7 of 7

Place on the main shelf on  
and fix them with screws.

