

UGREEN

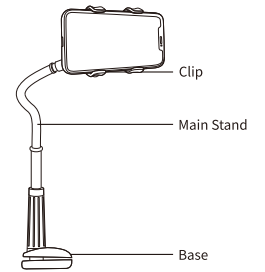
PHONE STAND WITH FLEXIBLE LONG ARM
MANUAL

Model:LP113 | P/N:30488

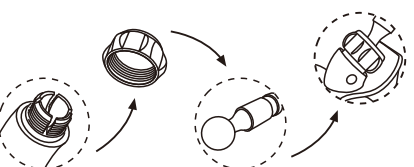
English

Thank you for purchasing the UGREEN products. For optimum operation, please read this manual carefully before use.

PRODUCT DETAILS



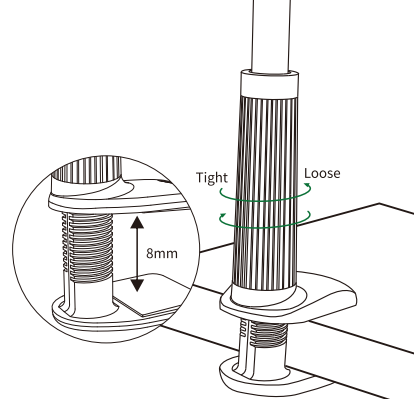
HOW IT WORKS



-1-

1. Unscrew the nut on the clip
2. Putting the removed nut on the bend main body of the bracket
3. Putting the part that the nut has been removed from the clip on the ball that at the another end of the body of the product
4. Moving the nut that you just put on and screw it on the end of the clip. According to the tightness, the position of phone clip can be adjusted, the tighter, the more stable, but more laborious

HOW TO ADJUST



-2-

SPECIFICATION

- Material: ABS + Aluminum Alloy
- Dimensions: L70×W80×H900 (mm)
- Suitable For: Phone with 4-6.5 Inch Screen

PACKAGE CONTENTS

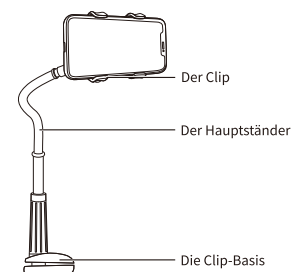
1×Phone Stand
1×User Manual

-3-

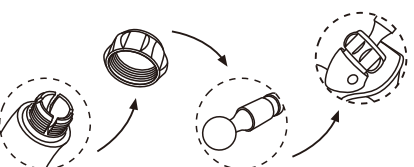
Deutsch

Vielen Dank für den Kauf der UGREENs Produkte. Bitte lesen Sie dieses Handbuch vor dem Gebrauch sorgfältig durch, um eine optimale Bedienung zu gewährleisten.

PRODUKTDETAIL



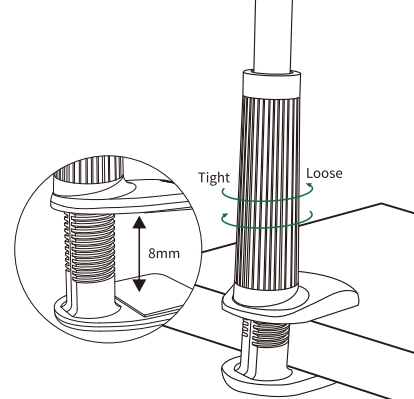
WIE ES FUNKTIONIERT



-4-

1. Lösen Sie die Mutter am Clip
2. Setzen Sie die entfernte Mutter auf den gebogenen Hauptkörper der Halterung
3. Setzen Sie den Teil, bei dem die Mutter vom Clip entfernt wurde, auf die Kugel am anderen Ende des Produktkörpers
4. Bewegen Sie die Mutter, die Sie gerade aufgesetzt haben, und schrauben Sie sie am Ende des Clips fest. Entsprechend der Straffheit kann die Position des Telefonclips eingestellt werden, je enger, desto stabiler, aber umso mühsamer

WIE MAN EINSTELLT



-5-

SPEZIFIKATION

- Material: ABS + Aluminiumlegierung
- Abmessungen: L70×B80×H900 (mm)
- Geeignet für: Telefon mit 4 bis 6.5 Zoll Bildschirm

PACKUNGSINHALT

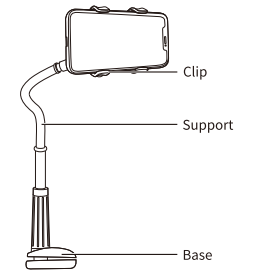
1×Telefonständer
1×Benutzerhandbuch

-6-

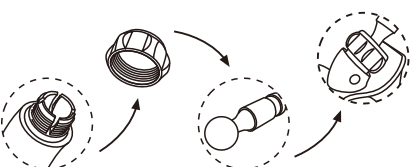
Français

Merci d'avoir acheté le produit UGREEN. Pour un fonctionnement optimal, veuillez lire attentivement ce manuel avant utilisation.

DÉTAILS DU PRODUIT



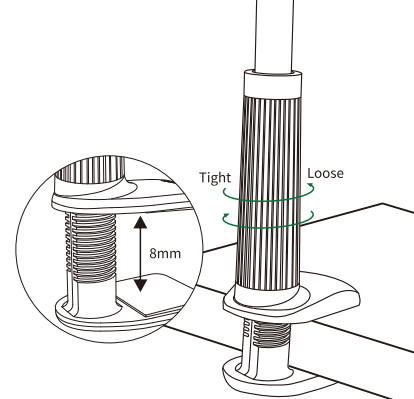
COMMENT FONCTIONNER



-7-

1. Dévissez l'écrou sur le clip
2. Placez l'écrou retiré sur le bras flexible du support
3. Placez le support téléphone sur la boule à l'extrémité du corps du support
4. Déplacez l'écrou au bout du clip et vissez l'écrou. La position du clip peut être ajustée, la plus étroite, la plus stable.

COMMENT AJUSTER



-8-

SPÉCIFICATION

- Matériel: ABS + Alliage d'aluminium
- Dimensions: L70×L80×H900 (mm)
- Compatibilité: Téléphone avec écran de 4 à 6,5 pouces

CONTENU DE L'EMBALLAGE

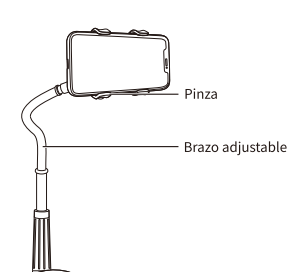
1×Support Téléphone
1×Manuel

-9-

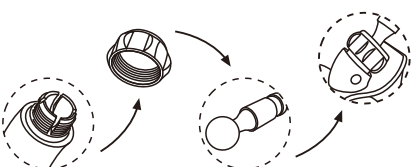
Español

Gracias por comprar desde UGREEN. Para el óptimo funcionamiento del producto, haga el favor de leer el manual detenidamente antes de usarlo.

DETALLES DE PRODUCTO



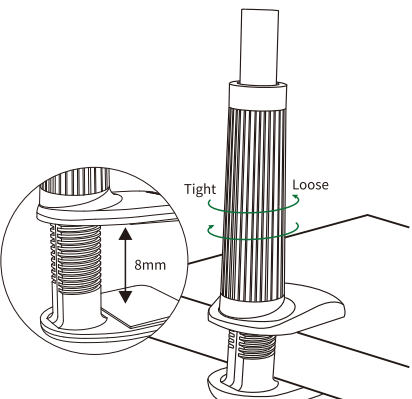
CÓMO FUNCIONA



-10-

1. Quite la tuerca en la pinza.
2. Coloque la tuerca en el brazo de este soporte.
3. Meta la rótula del brazo ajustable en la pinza de soporte.
4. Mueva la tuerca hasta el final de la pinza y apriétela. Puede ajustar la posición de la pinza apretando y aflojando la tuerca.

CÓMO AJUSTAR



-11-

ESPECIFICACIÓN

- Material: ABS + Aleación de Aluminio
- Dimensiones: 70×80×900 (mm)
- Dispositivos compatibles: Móvil con pantalla de 4-6, 5 pulgadas

CONTENIDO DEL PAQUETE

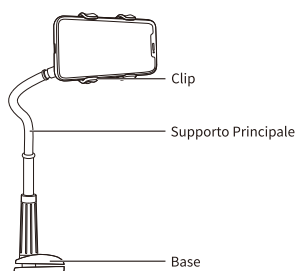
1×Soporte del móvil
1×Manual del usuario

-12-

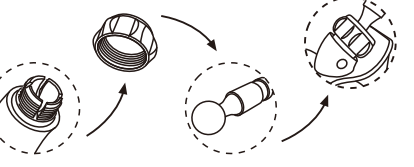
Italiano

Grazie per aver acquistato i prodotti UGREEN. Per un funzionamento ottimale, leggere attentamente questo manuale prima dell'uso.

DETTAGLI DEL PRODOTTO



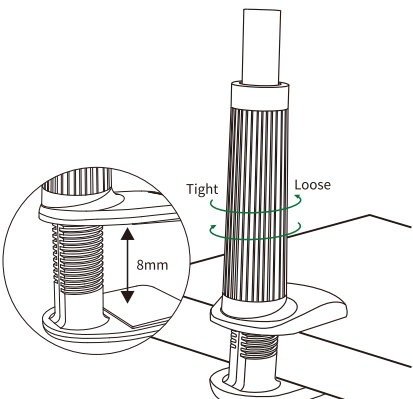
COME FUNZIONA



-13-

1. Svitare il dado sulla clip
2. Mettere il dado rimosso sul corpo principale della curva della staffa
3. Posizionare la parte del supporto del telefono con il dado rimosso sulla sfera all'estremità del corpo del supporto del telefono
4. Spostare il dado che hai appena messo e avvitarlo alla fine della clip. A seconda della tenuta, la posizione del clip del telefono può essere regolata, più stretta, più stabile, ma più laboriosa

COME AGGIUSTARE



-14-

SPECIFICAZIONE

- Materiale: ABS + Lega di alluminio
- Dimensione: L70×W80×H900 (mm)
- Adatto per: telefono con schermo da 4-6,5 pollici

CONTENUTO DELLA CONFEZIONE

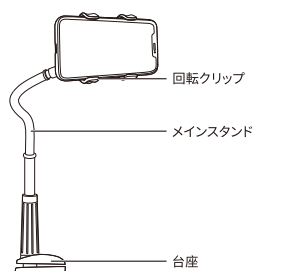
1× Supporto per Telefono
1× Manuale dell'utente

-15-

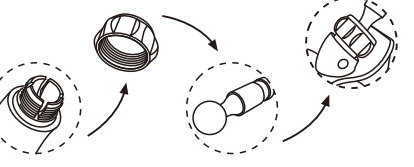
日本語

この度はUGREEN製品をお買い上げいただき、誠にありがとうございます。製品を正しく安全にご使用いただくために、ご使用前にこのマニュアルをよくお読みください。そのあとにも是非大切に保管してください。

商品仕様



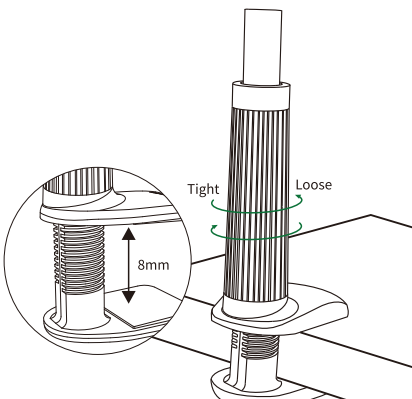
組み立て方法



-16-

1. クリップのナットを取り外してください。
2. 取り外したナットをスタンドのヘッド本体に取り付けてください。
3. クリップから外されたナットを製品本体の反対側のボールに付けてください。
4. 取り付けたナットを動かしてクリップの端にねじ込み、きつさに応じてクリップのサイズを調整してインストールが完了です。

きつさの調整方法



-17-

商品仕様

- 材質:ABS +アルミ合金
- サイズ:L70×W80×H900 (mm)
- 互換性:4-6.5インチのスマホに対応

パッケージ内容

スマホスタンド ×1
取扱説明書 ×1

-18-

IMPORTANT WEEE INFORMATION

This symbol on the product(s) and / or accompanying documents indicates that, under the new Directive 2012/19/EU on waste electrical and electronic equipment (WEEE), product(s) used electrical and electronic equipment (WEEE) should not be mixed with general household waste. For proper treatment, recovery and recycling, please take this product(s) to designated collection points where it will be accepted free of charge.

Disposing of this product correctly will help save valuable resources and prevent any potential negative effects on human health and the environment, which could otherwise arise from inappropriate waste handling.

Please contact your local authority for further details of your nearest designated collection point.

Penalties may be applicable for incorrect disposal of this waste, in accordance with your national legislation.

For professional users in the European Union if you wish to discard electrical and electronic equipment (EEE), please contact your dealer or supplier for further information.

For disposal in countries outside of the European Union: This symbol is only valid in the European Union (EU). If you wish to discard this product please contact your local authorities or dealer and ask for the correct method of disposal.

WARRANTY INFORMATION

A limited 2-year warranty applies to all UGREEN products purchased from UGREEN official store or authorized sellers. Please feel free to contact us if you run into any problems.

CONTACT US

FOR AMAZON MARKETPLACES

NORTH AMERICA
US: support.us@ugreen.com
MX: support.mx@ugreen.com

EUROPE
UK: support.uk@ugreen.com
FR: support.fr@ugreen.com
IT: support.it@ugreen.com

ASIA PACIFIC
JP: support.jp@ugreen.com

MIDDLE EAST
UAE: support.uae@ugreen.com

CA: support.ca@ugreen.com
DE: support.de@ugreen.com
ES: support.es@ugreen.com
AU: support.au@ugreen.com
KS: support.ksa@ugreen.com

MORE SALES CHANNELS

ALIBABA: aliexpress.support@ugreen.com
LAZADA: lazada.support@ugreen.com
EBAY: ebay.support@ugreen.com
SHOPEE: shopee.support@ugreen.com
WHOLESALE BUSINESS: partner@ugreen.com

UGREEN GROUP LIMITED

www.ugreen.com
support@ugreen.com
+86-755-2806530
@ugreen_official
@Ugreen_Official
Ugreen Building, Longcheng Industrial Park, Longguan Road, Longhua, Shenzhen, China

UGREEN is a registered trademark of Ugreen Group Limited. All rights reserved.

RoHS CE