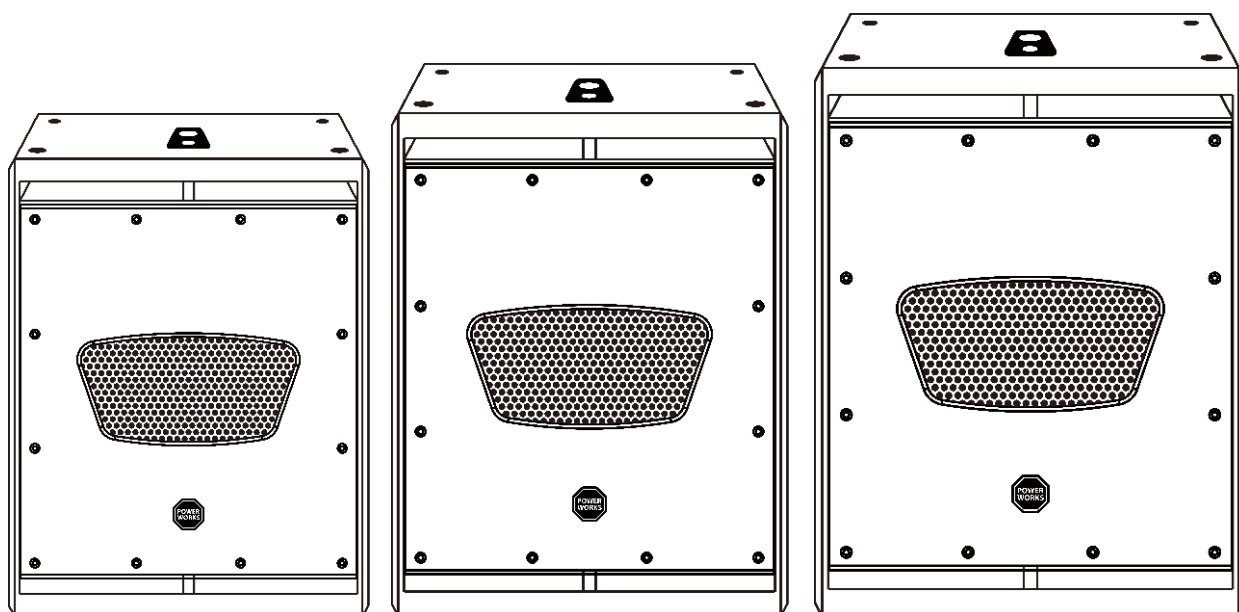
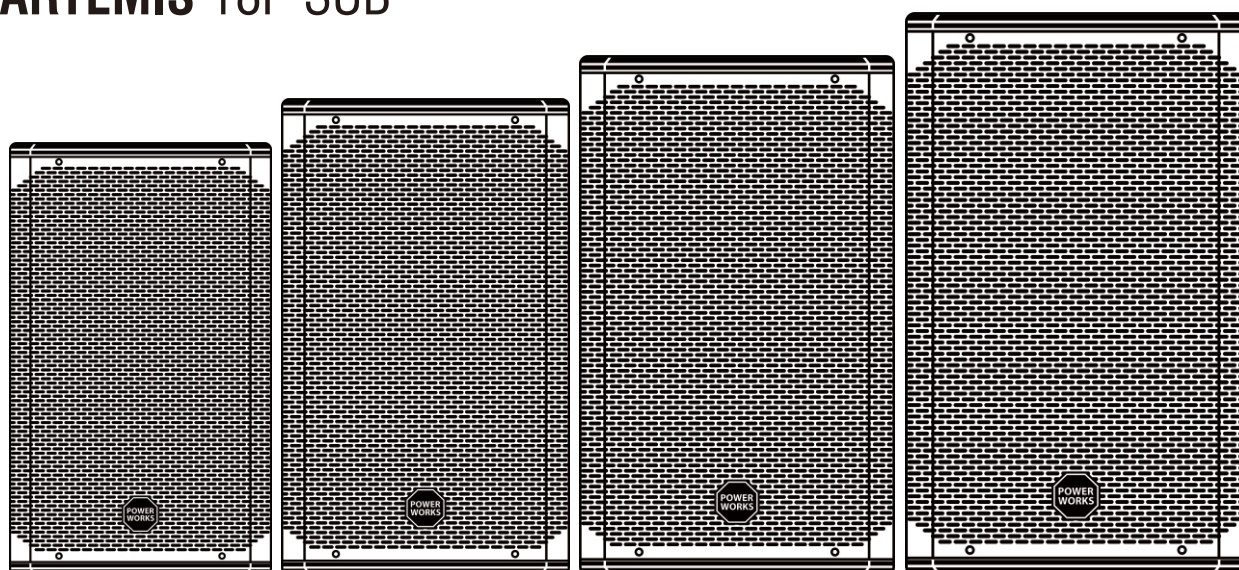


# USER MANUAL



- ARTEMIS 08PD
- ARTEMIS 10PD
- ARTEMIS 12PD
- ARTEMIS 15PD
- ARTEMIS 12P SUB
- ARTEMIS 15P SUB
- ARTEMIS 18P SUB



# SAFETY INTRODUCTION

1. Please read the manual carefully and keep it for future reference.
2. All safety instructions and warnings must be adhered to. They are part of the manual and must be kept with the manual.
3. Any guarantee claims are rendered invalid if damage occurs due to non-observance of these operating instructions. We assume no liability for any consequent damage.
4. We assume no liability for personal injury or damage to property caused by incorrect handling or non-observance of the safety instructions. Any guarantee claims expire in such cases.
5. Unauthorized conversions and/or modifications of the appliance are not permitted for safety and licensing reasons (CE).
6. The appliance is approved for operation in dry, closed rooms only. Do not operate the device nearby water, such as in bathrooms or nearby swimming pools.
7. The appliance may not be exposed to extreme temperatures ( $< +5^{\circ}\text{C}$  /  $> +35^{\circ}\text{C}$ ) in operation.
8. The appliance may not be subjected to strong vibrations or heavy mechanical strain.
9. The appliance may not be exposed to excessive moisture (due to dripping or sprayed water, for example).
10. Do not place any recipients filled with liquids, such as glasses or vases, on top of or directly next to the appliance. They could fall over, causing water to enter the appliance. Never pour out liquids above the appliance. Do not place any small objects, such as coins or paper clips, on the appliance since they could fall inside the appliance. You run a high risk of causing a fire or life-threatening electrocution! If any liquid or objects enter the appliance nevertheless, pull the mains plug out of the socket immediately and contact a specialist.
11. The appliance has been constructed according to protection class I. The power plug must only be plugged into a protection class I outlet. The voltage and frequency must exactly be the same as stated on the device. Wrong voltages or power outlets can lead to the destruction of the device and to lethal electrical shock.
12. 110- 240 Vac, 50/60 Hz mains socket may be used as source of power for the appliance. Never try to operate the appliance with any other voltage.
13. Only pull the mains plug out of the socket by the intended gripping surface. Do not pull it by the cable.
14. Never plug the mains plug in or out with damp or wet hands.
15. Always pull the mains plug out of the mains socket:
16. Before cleaning the appliance
17. If there is a thunderstorm
18. If you will not be using the appliance for a long period of time ( $> 1$  week)

19. Electrical appliances must be kept out of the reach of children. Be particularly careful if children are present. Children are not aware of the hazards involved in handling electrical appliances improperly. Children could attempt to poke objects into the appliance. There is a life-threatening danger of electrocution.

20. Do not leave the appliance unattended while operating it.

21. Never place the appliance on an unstable or movable surface. Persons could be injured or the appliance damaged by it falling down.

22. When using a rack, make sure it is in a stable position and is transported securely. Installation on uneven, slanted surfaces or stopping the rack abruptly during transport can result in the rack overturning or appliances falling from or out of the rack and injuring people.

23. Live components can be exposed by opening covers or removing components (unless this can be done without tools). Contact points can also be live. If the appliance has to be opened in order to calibrate, service, repair or replace components or assemblies, all of its poles must be disconnected from all sources of voltage first. If the appliance has to be kept open and under voltage during maintenance or repairs, this work may only be carried out by a specialist who is familiar with the risks involved and the relevant regulations.

24. Never connect the appliance directly after transferring it from a cold to a warm room. The condensation water that forms could destroy the appliance or result in an electric shock. Allow the device to reach room temperature before connecting it. Wait until the condensation water has evaporated. This can take some hours.

25. Do not place any naked flames such as those of burning candles on or next to the appliance.

26. Do not place the appliance on soft surfaces such as carpets or beds. Do not cover the air vents of the appliance. Do not obstruct the air circulation with objects such as magazines, table cloths or curtains. This prevents the dissipation of heat from the appliance and can result in overheating.

27. Only use the appliance in a moderate climate, not in tropical environments.

28. All persons involved in operating, installing and servicing the appliance and putting it into service must be trained and qualified accordingly and observe these operating instructions.

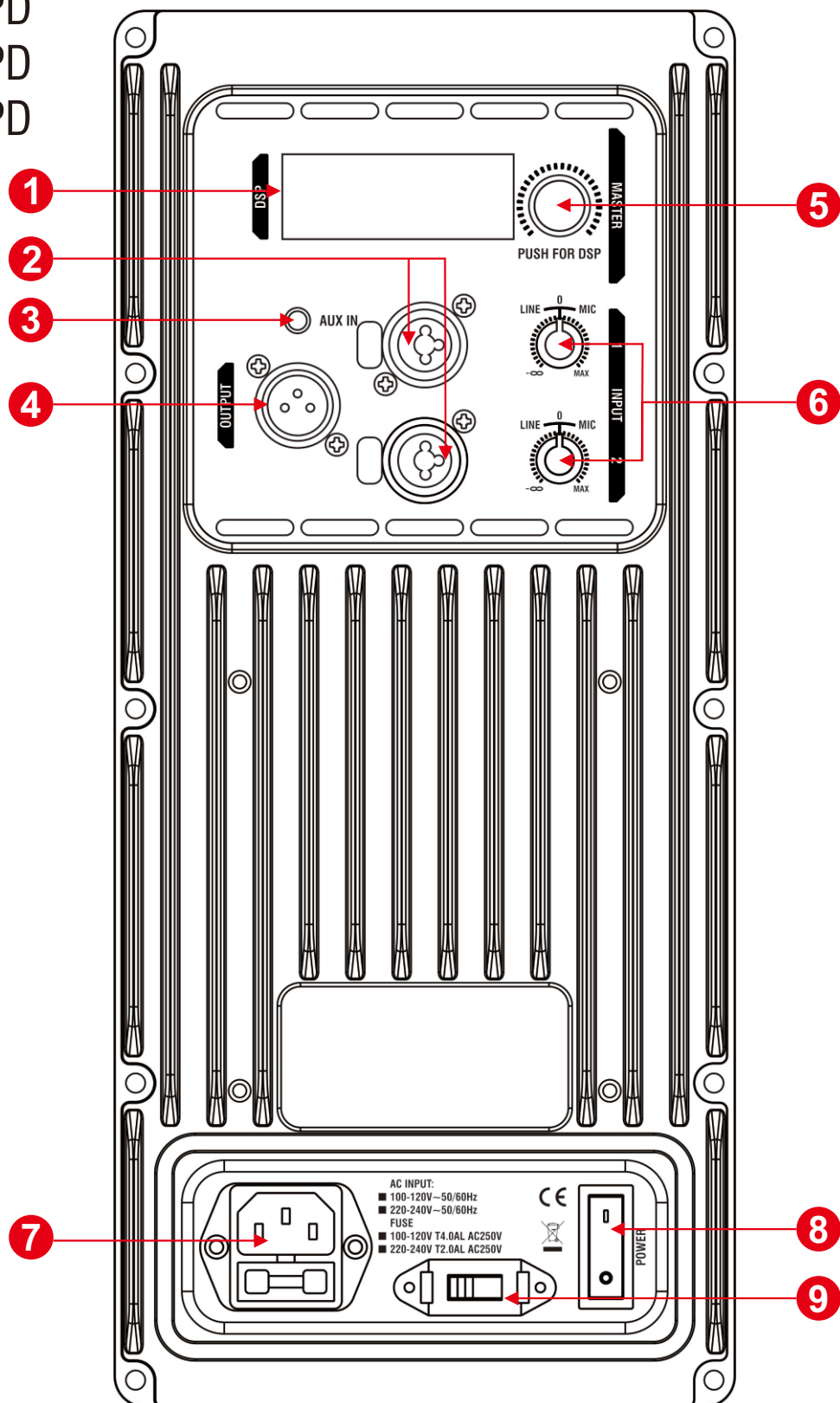
29. Defective mains cables may only be replaced by specialists. Danger of shock hazard!

30. Do not leave the packaging material lying around carelessly since it can become a source of danger for children playing with it.

31. The accident prevention regulations and the regulations of the employers' liability insurance association should be observed at commercial institutions.

32. If you are not sure about the correct connection or if questions arise which are not answered by the operating instructions, please do not hesitate to contact support or a specialist of your choice. Consult a specialist if you are in doubt about the operating principle or the safety of the product.

ARTEMIS 8PD  
 ARTEMIS 10PD  
 ARTEMIS 12PD  
 ARTEMIS 15PD





1. **[DSP]**-backlit display for DSP functions.

2. **[INPUT 1/INPUT 2]**-Mic / Line input 1, designed as XLR / 1/4" combo socket, balanced.

3. **[AUX IN]**-3.5 mm jack socket for connecting line level devices such as MP3 or CD players. Stereo signals are combined.

4. **[OUTPUT]**-Line output, designed as XLR chassis plug. The combined signal of both inputs is present here, unaffected by DSP.

5. **[MASTER / PUSH FOR DSP]**-Rotary control for the overall volume, push button for activating the DSP functions.

6. **[MAX INPUT 1/INPUT 2]**-Rotary gain control for input 1. Turning clockwise increases the input gain for connecting microphones. Turning counterclockwise decreases the input gain for connecting instruments or devices with line level outputs.

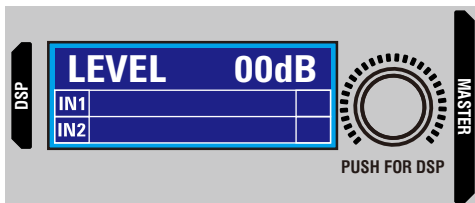
7. **[IEC Socket with Fuse holder]**-Plug the line cord into an AC socket properly configured for your particular model. In case of fuse burn, to prevent the risk of fire and damaging the unit, Before replacing the fuse, make sure the unit turned off and disconnected from the AC outlet.

8. **[POWER SWITCH]**-Switch up to turn the speaker on, and switch down to turn it off. Make sure the level control is down before you turn it on.

9. **[VOLTAGE SELECT SWITCH]**-Switch for setting the operating voltage. The mains voltage of your power supplier and the operating voltage of the device must be the same!

## LCD DSP Controls

An integrated LCD DSP control menu allows the user to select multiple DSP system settings on the loudspeaker.



### To access the LCD DSP controls menu, do the following:

1. Push and hold the MASTER VOL knob to enter the LCD DSP controls menu. The LCD DSP Controls menu appears.
2. Turn the MASTER VOL knob to scroll through the menu items.
3. Push the MASTER VOL knob to select the menu item you want to modify.

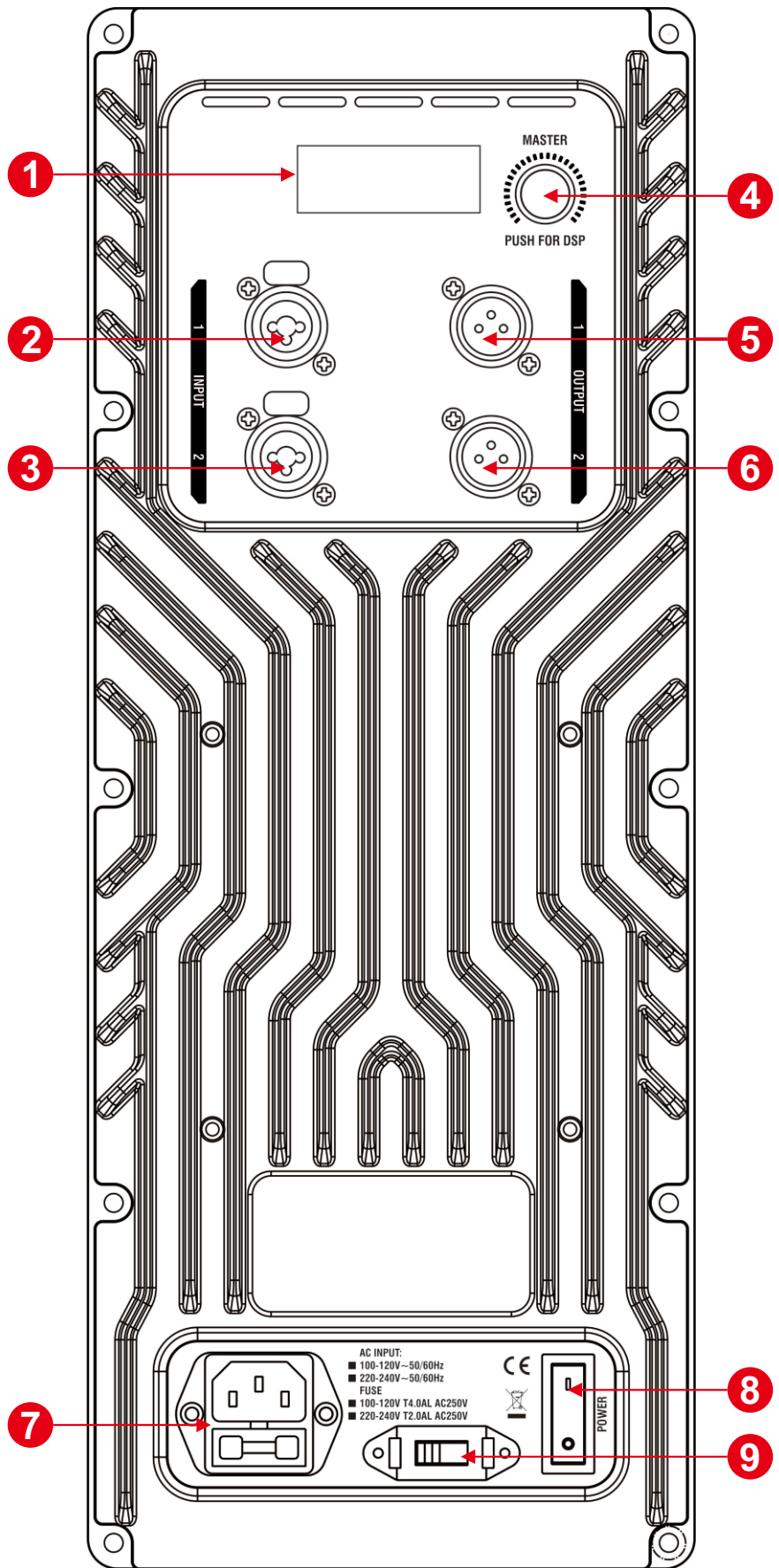
The focus moves to the menu items on the right side of the LCD screen.

4. Turn the MASTER VOL knob to scroll through the menu items.
5. Push the MASTER VOL knob to confirm the selected menu items.

The setting is saved. The focus returns to the menu items on the left side of the LCD screen.

6. Repeat steps 2–5 to modify additional DSP & system settings.
7. Select EXIT to return to the home screen.

**ARTEMIS 12SUB**  
**ARTEMIS 15SUB**  
**ARTEMIS 18SUB**



1.[**DSP**]-backlit display for DSP functions.

2.[**INPUT 1**]-Line input 1, designed as XLR / 1/4" combo socket, balanced.

3.[**INPUT 2**]-Line input 1, designed as XLR / 1/4" combo socket, balanced.

4.[**MASTER / PUSH FOR DSP**]-Rotary control for the overall volume, push button for activating the DSP functions.

5.[**OUTPUT 1**]-Line output, designed as XLR chassis plug. The combined signal of both inputs is present here, unaffected by DSP.

6.[**OUTPUT 2**]-Line output, designed as XLR chassis plug. The combined signal of both inputs is present here, unaffected by DSP.

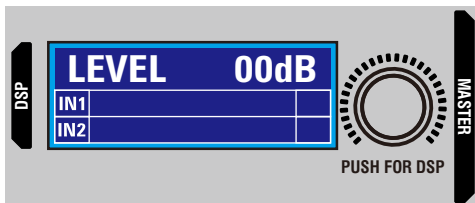
7.[**IEC Socket with Fuse holder**]-Plug the line cord into an AC socket properly configured for your particular model. In case of fuse burn, to prevent the risk of fire and damaging the unit, Before replacing the fuse, make sure the unit turned off and disconnected from the AC outlet.

8.[**POWER SWITCH**]-Switch up to turn the speaker on, and switch down to turn it off. Make sure the level control is down before you turn it on.

9.[**VOLTAGE SELECT SWITCH**]-Switch for setting the operating voltage. The mains voltage of your power supplier and the operating voltage of the device must be the same!

## LCD DSP Controls

An integrated LCD DSP control menu allows the user to select multiple DSP system settings on the loudspeaker.



### To access the LCD DSP controls menu, do the following:

1. Push and hold the MASTER VOL knob to enter the LCD DSP controls menu. The LCD DSP Controls menu appears.
2. Turn the MASTER VOL knob to scroll through the menu items.
3. Push the MASTER VOL knob to select the menu item you want to modify.

The focus moves to the menu items on the right side of the LCD screen.

4. Turn the MASTER VOL knob to scroll through the menu items.
5. Push the MASTER VOL knob to confirm the selected menu items.

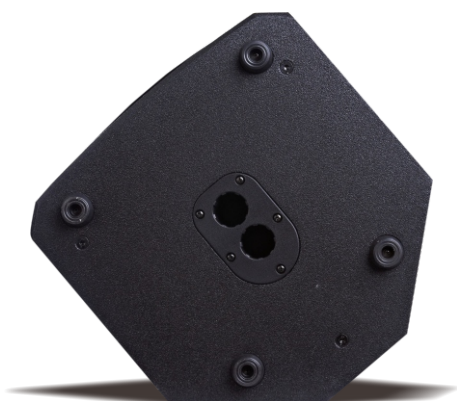
The setting is saved. The focus returns to the menu items on the left side of the LCD screen.

6. Repeat steps 2–5 to modify additional DSP & system settings.

7. Select EXIT to return to the home screen.

## STAND FLANGE

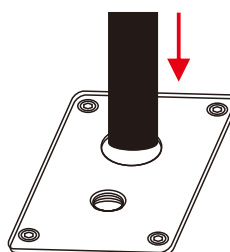
- ARTEMIS 8PD
- ARTEMIS 10PD
- ARTEMIS 12PD
- ARTEMIS 15PD



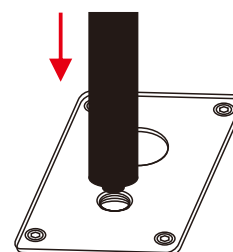
The speakers have a stand flange with a 0° angle socket (rear position) and a socket with a 7° tilt angle (front position). Examples of use: Use the socket with a 0° angle for standing audiences and the socket with a 7° tilt angle for seated audiences.

## DUAL POLE SOCKETS

- ARTEMIS 12SUB
- ARTEMIS 15SUB
- ARTEMIS 18SUB



35mm diameter



M20 screws.

Compatible with commercially available speaker poles of 35mm diameter and M20 screws.

## TECHNICAL SPECIFICATIONS

Model:	ARTEMIS 8PD	ARTEMIS 10PD
Type:	Active PA Speaker	Active PA Speaker
Frequency response:	70Hz-19kHz	65Hz-19kHz
Power output(RMS/peak):	300W/600W	350W/700W
Amplifier Type	Class D + Class AB	Class D + Class AB
Coverage Angle	90° x 60°	90° x 60°
Max.SPL (Peak)	120dB	122dB
LF transducer	8"Woofer 2"Voice coil	10"Woofer 2"Voice coil
HF transducer	1" Exit-1.35" Compression Driver	1" Exit-1.35" Compression Driver
Crossover frequency	3.5KHz	3.2KHz
Pole Socket	35mm With 1-way feature (0°-7°)	
Connectors Input	Input: 3.5mm Jack / XLR / 6.35mm TRS combo	
Connectors Output	Output: XLR	
Dimensions(WxHxD):	360 x 530 x 380 mm	405 x 615 x 405 mm
Weight:	13kg	17kg

Model:	ARTEMIS 12PD	ARTEMIS 15PD
Type:	Active PA Speaker	Active PA Speaker
Frequency response:	55Hz-19kHz	45Hz-19kHz
Power output(RMS/peak):	450W/900W	500W/1000W
Amplifier Type	Class D + Class AB	Class D + Class AB
Coverage Angle	90° x 60°	90° x 60°
Max.SPL (Peak)	124dB	126dB
LF transducer	12"Woofer 3"Voice coil	15"Woofer 3"Voice coil
HF transducer	1" Exit-1.35" Compression Driver	1" Exit-1.35" Compression Driver
Crossover frequency	2.8KHz	2.6KHz
Pole Socket	35mm With 1-way feature (0°-7°)	
Connectors Input	Input: 3.5mm Jack / XLR / 6.35mm TRS combo	
Connectors Output	Output: XLR	
Dimensions(WxHxD):	475 x 715 x 465 mm	525 x 815 x 510 mm
Weight:	22kg	28kg



## TECHNICAL SPECIFICATIONS

Model:	ARTEMIS 8	ARTEMIS 10
Type:	2-Way passive speaker	2-Way passive speaker
Frequency response:	70Hz-19kHz	65Hz-19kHz
Power output(RMS/peak):	350W/700W	400W/800W
Coverage Angle	90° x 60°	90° x 60°
Max.SPL (Peak)	122dB	124dB
LF transducer	8"Woofer 2"Voice coil	10"Woofer 2"Voice coil
HF transducer	1" Exit-1.35" Compression Driver	1" Exit-1.35" Compression Driver
Crossover frequency	3.5KHz	3.2KHz
Pole Socket	35mm With 1-way feature (0°-7°)	
Connectors	Lockable NL4 mounting connector	
Dimensions(WxHxD):	360 x 530 x 380 mm	405 x 615 x 405 mm
Weight:	9.6kg	15kg

Model:	ARTEMIS 12	ARTEMIS 15
Type:	2-Way passive speaker	2-Way passive speaker
Frequency response:	50Hz-19kHz	43Hz-19kHz
Power output(RMS/peak):	500W/1000W	550W/1100W
Coverage Angle	90° x 60°	90° x 60°
Max.SPL (Peak)	126dB	128dB
LF transducer	12"Woofer 3"Voice coil	15"Woofer 3"Voice coil
HF transducer	1" Exit-1.35" Compression Driver	1" Exit-1.35" Compression Driver
Crossover frequency	2.8KHz	2.5KHz
Pole Socket	35mm With 1-way feature (0°-7°)	
Connectors	Lockable NL4 mounting connector	
Dimensions(WxHxD):	475 x 715 x 465 mm	525 x 815 x 510 mm
Weight:	20kg	25kg

## TECHNICAL SPECIFICATIONS

Model:	ARTEMIS 12SB	ARTEMIS 15SB	ARTEMIS 18SB
Type:	Active PA Subwoofer	Active PA Subwoofer	Active PA Subwoofer
Frequency response:	40Hz-150Hz	35Hz-150Hz	30Hz-150Hz
Power output(RMS/peak):	800W/1600W	1000W/2000W	1000W/2000W
Amplifier Type	Class D	Class D	Class D
Max.SPL (Peak)	128dB	132dB	134dB
LF transducer	12"Woofer 3"Voice coil	15"Woofer 4"Voice coil	18"Woofer 4"Voice coil
Pole Socket	35mm diameter and M20 screws		
Connectors Input	Input: 2 x XLR/TRS combo jacks		
Connectors Output	Output: 2 x XLR link outputs		
Dimensions(WxHxD):	500 x 680 x 640 mm	710 x 720 x 575 mm	775 x 790 x 655 mm
Weight:	32kg	45kg	53kg

Model:	ARTEMIS 12S	ARTEMIS 15S	ARTEMIS 18S
Type:	Passive Subwoofer	Passive Subwoofer	Passive Subwoofer
Frequency response:	40Hz-500Hz	35Hz-500Hz	30Hz-500Hz
Power output(RMS/peak):	800W/1600W	1000W/2000W	1000W/2000W
Max.SPL (Peak)	128dB	132dB	134dB
LF transducer	12"Woofer 3"Voice coil	15"Woofer 4"Voice coil	18"Woofer 4"Voice coil
Pole Socket	35mm diameter and M20 screws		
Connectors	Lockable NL4 mounting connector		
Dimensions(WxHxD):	500 x 680 x 640 mm	710 x 720 x 575 mm	775 x 790 x 655 mm
Weight:	29kg	43kg	51kg

