



banTamp bass User Manual

banTamp bass 用户使用说明



Safety instructions

Thank you for purchasing our products!

Important safety instructions



CAUTION: TO REDUCE THE RISK OF ELECTRIC SHOCK, DO NOT REMOVE COVER (OR BACK). NO USER-SERVICEABLE PARTS INSIDE. REFER SERVICING TO QUALIFIED SERVICE PERSONNEL.

WARNING: TO REDUCE THE RISK OF FIRE OR ELECTRIC SHOCK, DO NOT EXPOSE THIS APPARATUS TO RAIN OR MOISTURE.

The lightning flash with arrowhead symbol within an equilateral triangle is intended to alert the user to the presence of uninsulated "dangerous voltage" within the product's enclosure that may be of sufficient magnitude to constitute a risk of electric shock to persons.

The exclamation point within an equilateral triangle is intended to alert the user to the presence of important operating and maintenance (servicing) instructions in the literature accompanying the product.

This symbol is intended to alert the user—Use only with the cart, stand, tripod, bracket, or table specified by the manufacturer, or sold with the apparatus. When a cart is used, use caution when moving the cart/apparatus combination to avoid injury from tip-over.

User instructions: After you turn on the banTamp bass, the tube warms up for the first 20-30 seconds, the unstable sound during this period is normal.

安全提示

感谢您购买我们的产品!

重要的安全说明



注意: 机内无用户可用备件! 为了防止触电, 切勿自行拆开机盖! 必要时需由专业人士维修!

警告: 为防止发生火灾或触电危险, 本机切勿受雨淋或受潮!

等边三角形中带有闪电型箭头, 该符号用来告诫用户——机内具有危险电压的非绝缘部分, 易造成电击的危险。

等边三角形中带有感叹号, 该符号用来提醒用户——机器附件中有重要的操作和保养说明, 请查阅使用说明书。

该符号警告用户——禁止推移在顶端端放有机器而又无保护措施的可移动机架, 谨防最顶端的机器跌落给您带来不必要的人身伤害。为保护您的利益, 请使用由该制造商所生产或推荐的可移动机架、三角架、脚架、固定架、控制台等配件。

用户须知: 在刚开机20-30秒前为电子管预热, 期间的声音不稳定属正常情况。

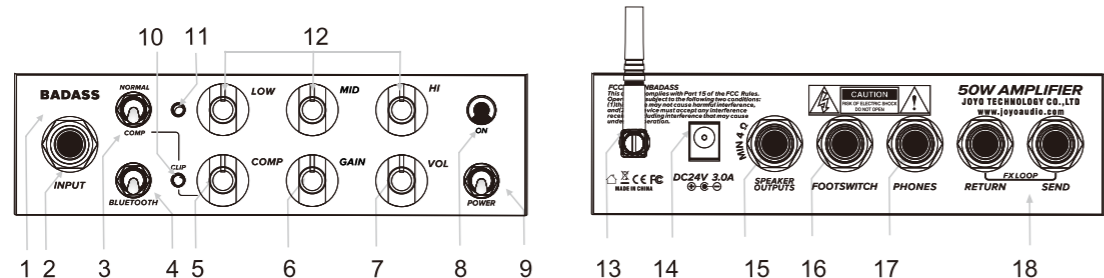
Detailed safety instructions

- For your safety and let you be familiar with this product, please read all the safety and operation instructions before use.
- Please keep this user manual for future use and maintenance.
- Please follow all the safety instructions on the product or in the user manual.
- Use the attached power adapter only. If use other power adapter, it will damage the internal circuits or increase noise.
- Keep it away from children!
- Please install this product according to manufacturer's instructions. Put it in places that have good ventilation and heat dissipation. Don't block any ventilation openings nor cover it with cloth and the like.
- Don't use it near water or damp areas, don't drop water or other liquid substance into this product;
- Don't use it near heat sources, such as heater, electrothermal oven, high power amplifier and more.
- Don't put hazardous chemicals on the product, inflammable and explosive substances such as alcohol, thinner and so on.
- Do not use alcohol or other cleaning fluids to clean this product, otherwise it will damage the surface, use a clean dry cloth when necessary.
- Don't damage the power cord or plug. Don't pull the power cord and other parts. Please unplug it if you need to move this product.
- Please turn off the power switch and unplug the AC power socket during thunderstorm, lightning or if it is not in use for a long time.
- Should any of the following occur, please switch it off and unplug it and contact your local distributor or have it repaired by qualified personnel.
 - Metal or other solid object or liquid falls into the cabinet, or gets caught in the rain.
 - The power cord or power plug were damaged, cable core are exposed or wire break.
 - The product is in smoke, peculiar smell or other abnormal condition.
 - The product falls on the ground or malfunctions.

详细的安全说明

- 为了您的安全和能更快地熟练掌握本产品, 使用前请先详细阅读并理解本书中所有的安全与使用说明。
- 为了您以后能更加方便地使用和保养本产品, 请妥善保管好本使用说明书以供必要时查阅。
- 为了您能更加安全地使用本产品, 请遵守在设备上和说明书中所有的警告与注意事项。
- 只能使用本机提供的电源适配器, 若使用其它规格的电源适配器, 可能会损坏本机或产生噪音。
- 请将本产品收藏于儿童不宜获得的地方! 请不要将本产品拿给儿童玩耍!
- 请查阅并按照制造商的方法来安装本机。请置它在易通风散热的地方。请勿阻塞机器上所有的通风散热孔。不要用物品覆盖着本机。
- 禁止在靠近水或潮湿的地方使用本机, 禁止将水或其它液体之类的东西滴入或倒入机内;
- 不要在靠近热源的地方使用本机, 如加热器、暖气机、大功率加热器等各种易发热设备。
- 请勿将易发生危险的物品放置在机器上。易燃易爆如酒精、天那水之类的医疗及化学用品等等。
- 请勿用化学溶剂如酒精之类的物品清洁本机, 否则会对机器表面造成损伤, 必要时请用清洁的干布擦拭。
- 应避免电源线及插头受到损伤或损坏。不要强行拉扯电源线及其它组件, 若要移动本装置请拔下电源插头。
- 当打雷或闪电、或较长时间不使用本机, 请立即关闭本机的电源并拔出交流电源插头。
- 若发生以下异常情况时, 请立即关闭本机的电源并拔出电源插头, 并与当地经销商联系或由专业人士维修。
 - 金属之类异物跌入机器内; 水或其它液体进入机器内; 或被雨淋后。
 - 当电源线或电源插头受到损伤, 如线缆露出或断线。
 - 机器冒烟、有异味或出现其它异常情况时。
 - 机器跌落在地上后或工作不正常等情况时。

Panel instruction



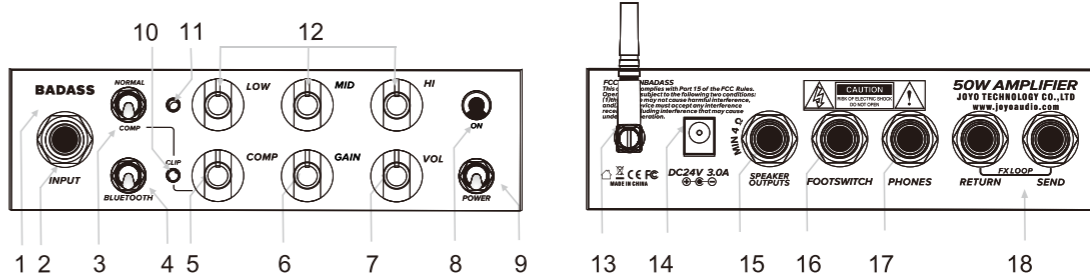
Front panel

- Head's model number
- BASS Input Jack
- Compressor effects switch: turn on or turn off compressor effects.
- Bluetooth switch: turn on/off banTamp bass's Bluetooth function.
- Compressor adjustment knob: adjust the depth of compressor, it's active only when the compressor is turned on.
- Gain Control Knob: adjust the preamp's Gain.
- Volume Control Knob: adjust the master volume.
- Power/Bluetooth indicator: turn on banTamp bass, and this indicator becomes red, turn on the Bluetooth switch after you turn on the device, this indicator changes from red into blue.
- Power switch: turn on/off banTamp bass
- Compressor Status Indicator
- Power Indicator
- 3-band EQ

Rear panel

- Bluetooth antennas
- Power Jack: for connecting to DC 24V/3.0A power switch, please use the power adapter in the package.
- Speaker Output Jacks: amp head's speaker output Jack, it reaches the maximum power when connects to 4Ω cabinet, please don't connect to speaker impedance that is less than 4Ω.
- Note: banTamp bass's power diminishes when connects to speaker impedance that is more than 4Ω.
- External Footswitch Jack: connects to the Footswitch in the package, the Footswitch can turn on/off compressor.
- Headphone Output Jack: for connecting to the headphones, the cabinet becomes mute automatically once the amp connects to headphones.
- FX LOOP: connects effects pedal Input to banTamp bass's SEND Jack, and connects effects pedal Output to banTamp bass's RETURN Jack.

面板说明



前面板

- 插头型号
- BASS输入接口
- 压缩效果开关: 用来打开或关闭压缩效果。
- 蓝牙开关: 打开/关闭banTamp bass的蓝牙功能。
- 压缩调节旋钮: 调节压缩深度, 只在压缩器打开时有效。
- 增益调节旋钮: 调节前级放大增益。
- 音量调节旋钮: 调节总音量。
- 电源/蓝牙指示灯: 打开banTamp bass设备后, 该指示灯点亮为红色, 在开启设备后打开蓝牙开关, 该指示灯由红色变为蓝色。
- 电源开关: 打开/关闭banTamp bass设备。
- 压缩器状态指示灯。
- 电源指示灯。
- 三段EQ。

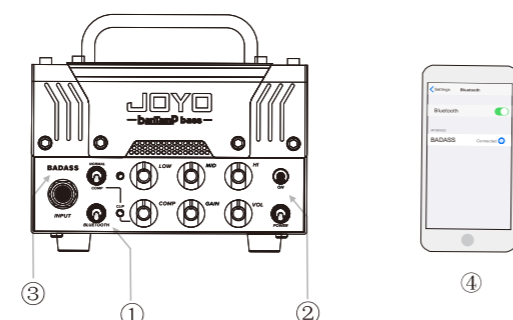
后面板

- 蓝牙天线
- 电源接口: 用于接入DC 24V/3.0A的电源适配器, 请务必使用随机附带的适配器。
- 喇叭输出接口: 此接口为箱头的喇叭输出接口, 此接口在连接4欧姆箱体时可达最大功率, 注意不可连接小于4欧姆的箱体(注意: 当接入大于4欧姆阻抗箱体时, banTamp bass功率将随之减小。)
- 通道外接踏板接口: 连接带踏板的踏板, 踏板可用于控制压缩的开始或关闭。
- 耳机输出接口: 用于接入耳机, 在耳机接入设备时, 箱体自动静音。
- 效果回路: 将效果器的输入与banTamp bass的SEND接口连接, 效果器的输出与banTamp bass的RETURN接口连接。

Connection

Bluetooth connection

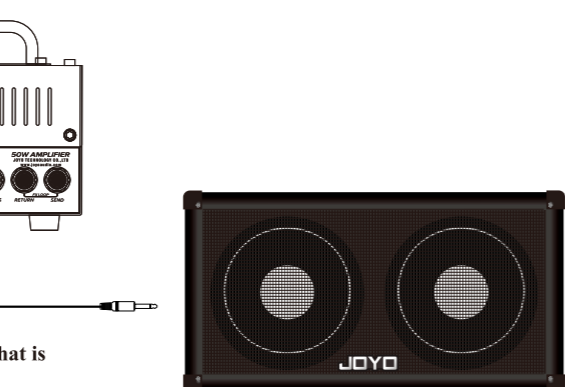
- Turn on the power switch first, and then turn on the Bluetooth slide switch.
- The head's power indicator changes from red into blue.
- Turn on your device's Bluetooth, and wait for it to locate BADASS.
- Tap it and starts to pair up.



Pair up cabinet's impedance

The optimum matched cabinet impedance is 4Ω, of course, 8-16Ω cabinets work too, but banTamp bass achieves maximum power output only when the cabinet is 4Ω, banTamp bass's power diminishes when it connects to speaker impedance that is more than 4Ω.

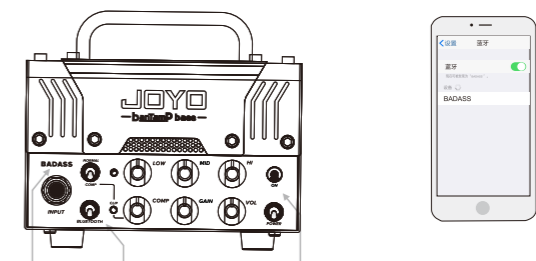
Please don't connect with speaker impedance that is less than 4Ω!



连接

蓝牙连接

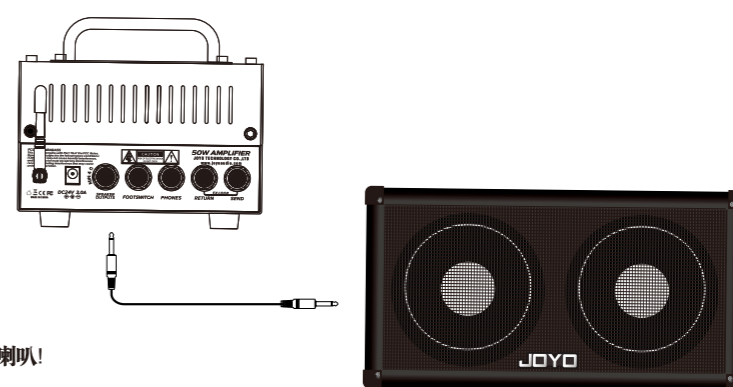
- 先开启电源开关, 再打开蓝牙按钮开关。
- 小箱头电源指示灯由红色变为蓝色。
- 打开您设备的蓝牙功能, 等待设备搜索到BADASS设备。
- 点击并连接匹配。



箱体阻抗匹配

与banTamp bass相匹配的最佳箱体阻抗为4欧姆, 当然, 也可以接入8-16欧姆的箱体, 但只有箱体为4欧姆时, banTamp bass才能输出其最大功率, 当接入大于4欧姆阻抗的箱体时, banTamp bass的功率将会减小。

请不要接入阻抗小于4Ω的喇叭!



Specifications:

Power adapter's specifications: INPUT AC 100-240V 50/60Hz OUTPUT DC24V/3.0A
RMS: 50W
Rated power load: 4Ω
Bluetooth version: 4.0
Dimensions: 163mm x 110mm x 140mm
Headphones impedance: standard: 32Ω; minimum: 16Ω
Weight: 1.32kg

Package contents:

- banTamp bass x1
- User manual x1
- Speaker cable x1
- Power adapter x1
- Channel Control Connecting Cable x1
- Power cable x1
- Channel Control Footswitch Pedal x1

JOYO TECHNOLOGY CO., LTD

Address: 2/F, Lushi Industry Building, 28th District, Bao'an, Shenzhen, 518101 China.
www.joyo-amps.com Email: info@joyoaudio.com Tel: 0086-755-29765381
JOYO Technology is committed to guarantee the highest quality standards. All Technical Parameters or pictures are only for your information, subject to the actual products.

电气参数:

电源适配器规格: INPUT AC 100-240V 50/60Hz OUTPUT DC24V/3.0A
额定功率: 50W
额定功率负载: 4欧姆
蓝牙版本: 4.0
尺寸: 163mm x 110mm x 140mm
耳机阻抗: 标准32Ω; 最小16Ω
净重: 1.32kg

包装清单:

- 主机 x1
- 说明书 x1
- 喇叭线 x1
- 电源适配器 x1
- 通道控制连接线 x1
- 电源线 x1
- 通道控制踏板 x1

卓乐产品服务政策		卓乐产品保修卡	
一、在正常使用产品过程中, 如产品出现非人为损坏的性能故障, 自购买之日起, 消费者享有保修服务, 保修期为12个月。	产品型号	姓名	S/N号码
二、有下列情况之一者, 消费者不能享受保修权益。	用户信息	电话	购买日期
1. 人为损坏; 2. 超过保修期; 3. 无保修卡及有效发票, 但能够证明产品在保修期内的除外; 4. 保修卡严重涂改或模糊, 保修卡未涂改; 5. 未接说明书要求使用、维护、保养而造成产品损坏; 6. 未经卓乐公司授权, 擅自拆卸、维修产品; 或浸水、摔坏产品; 7. 其他不可抗力造成的损坏。	地址	发货号码	
三、卓乐保修服务	名称 (加盖公章)	地址	
消费者服务热线: 0755-29765390	地址	电话	
更多信息请访问: www.joyochna.cn	销售单位信息		

品牌: JOYO 名称: 电贝斯放大器
执行标准: QB/T 4326-2012
制造商: 深圳市卓乐科技有限公司
地址: 广东省深圳市宝安区28区新安三路陆氏工业大厦2楼 邮编: 518133
售后服务热线: 0755-29765390

产品合格证

检验结论: 合格
检验员: QC01
日期: _____