

Guitar Stand 17550

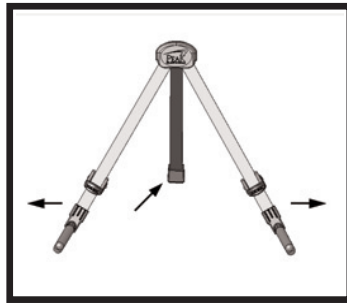
User's Guide

- Collapsible, compact for storage
- Easy to set up
- Great stability
- Super protection with soft material
- No tools required for installation
- No loose parts
- Fits almost all guitars

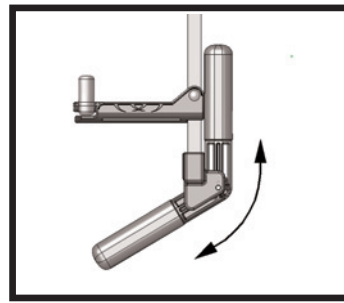


Set Up

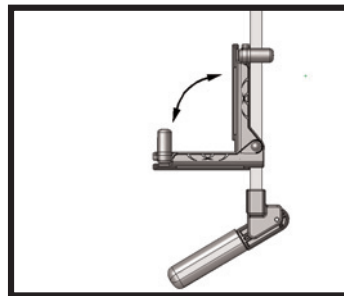
STEP 1: Fully open three legs to the position until you feel hit each detent.



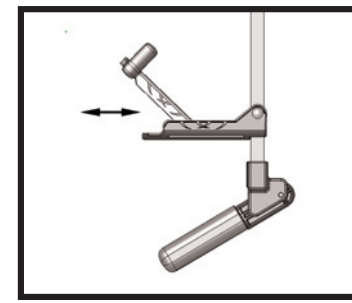
STEP 2: Rotate the foot on front legs from back to front until hit each detent.



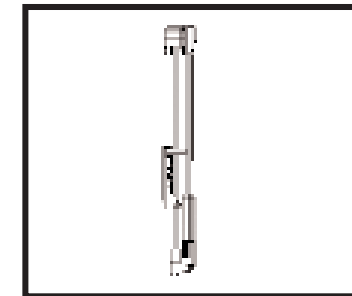
STEP 3: Low down arms on front legs to hit each leg.



STEP 4: Adjust length of arms by lifting the adjustable arms up to an angle and sliding in the slot of fixed arm to fit the width of your guitar, push down the adjustable arms to sit in the fixed arm.



STEP 5: Reverse the above to return to original compact type.



Caution:

Don't adjust leg arms without lifting at an angle.

