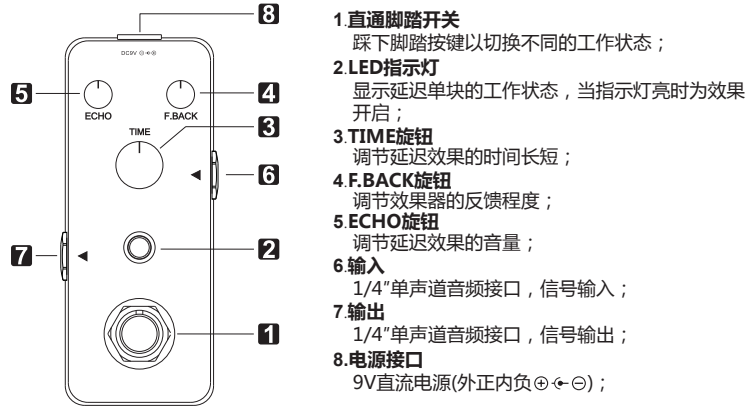


延迟单块 说明书

感谢您使用公司产品，在使用本产品之前请仔细阅读本说明书

操作说明



产品特性

- ◆ 纯正模拟电子管延迟效果，干净温和饱满、润滑的全新延迟音色
- ◆ 硬件直通，阻压减少
- ◆ LED灯指示效果器工作状态

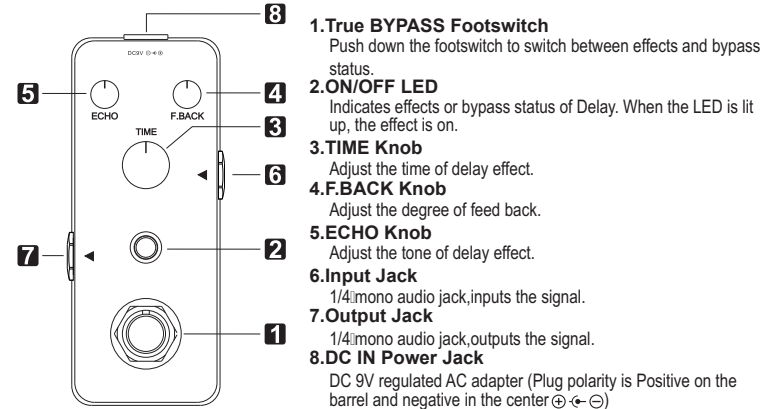
技术参数

- ◆ 延迟时间：20ms-620ms
- ◆ 输入：1/4"单声道音接口(阻抗:1M Ohms)
- ◆ 输出：1/4"单声道音接口(阻抗:470 Ohms)
- ◆ 电源供给：9V直流电流(外正内负⊕⊖)
- ◆ 工作电流：42mA
- ◆ 尺寸：95(L)*45(W)*48(H)mm
- ◆ 重量：273克(带包装)

Delay Pedal Manual

Thanks for purchasing our products, before operating this product, please read the enclosed operating instructions.

Operating Instructions



Features

- ◆ Pure analog circuit delay.Clear,plump and wsmooth New Delay effect.
- ◆ True bypass provides transparent tone.
- ◆ LED Indicator shows the working state.

Specifications

- ◆ Time of delay:20ms-620ms
- ◆ Input: 1/4"Monaural Jack (Impedance: 1M Ohms)
- ◆ Output: 1/4"Monaural Jack (Impedance: 470 Ohms)
- ◆ Power Supply: DC 9V (Plug polarity is Positive on the barrel and negative in the center ⊕⊖)
- ◆ Working Current: 42mA
- ◆ Dimensions: 95(D)*45(W)*48(H)mm
- ◆ Weight: 273g(With box)