

正面

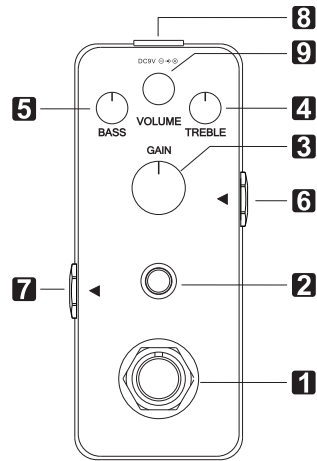
反面

# 激励单块

## 说明书

感谢您使用本公司失真效果器，在使用本产品之前请仔细阅读本说明书

### 操作说明



- 1、纯直通脚踏开关：  
踩下脚踏开关以选择效果
- 2、LED 指示灯：  
显示激励效果的工作状态，当LED 灯指示亮时为效果开启
- 3、GAIN：  
调节失真度增益，顺时针调节增加声音失真并保持吉他的音调
- 4、TREBLE：  
调节中高频，使之音色更具有穿透力。  
增益原声激励
- 5、BASS：  
调节低音
- 6、INPUT：  
通过Φ6.3mm音频插头将效果器的输入口与电吉他或其他效果器相连接
- 7、OUTPUT：  
通过Φ6.3mm音频插头将效果器的输出端口与电吉他音响或其他的效果器相连接
- 8、电源适配器插口：  
直流9V稳压适配器（⊕⊖ 外正内负）
- 9.VOLUME  
音量调节旋钮

### 产品特性

- 原声增益激励，双段±15分贝的均衡，使之原声得到最干净，损耗最低声音
- 调节出饱满的失真音色。使之音色更具张力
- 硬件直通 阻压减少
- LED 灯指示效果器工作效果

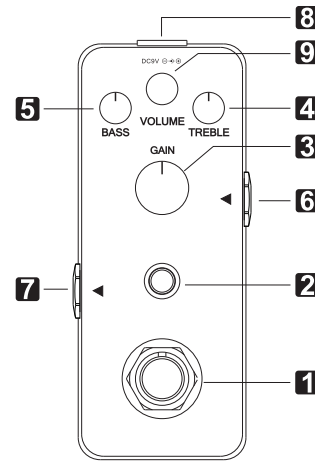
### 技术参考

- 输入阻抗:阻抗: 1M Ohms 4之1单声音频接口
- 输出阻抗: 阻抗: 10K Ohms 4分之1单声音频接口
- 工作电流: 7mA
- 电源配置: 9V 直流变压器 (⊕⊖ 外正内负)
- 尺寸: 95mm(D)\*45mm(W)\*48mm(H)
- 重量: 240 克(带包装)

# Booster Pedal Manual

Thank you for purchasing our Booster Pedal. Before operating this product, please read the enclosed Operating Instructions.

### Operating Instructions



1. True BYPASS Footswitch  
Push down the footswitch to switch between effects and bypass status.
2. LED Indicator  
Instruction of Pedal working status: Light up when the pedal is effective.
3. GAIN  
Adjust the degree of distortion, clockwise turning increase the degree of distortion with maintaining the guitar notes.
4. TREBLE  
Adjust the intermediate and high frequency to make the sound more penetrating. Increasing the booster.
5. BASS  
Adjust the bass.
6. INPUT  
Connect the INPUT of the effect to your guitar or other effect unit with the Φ 6.3 mm audio plug.
7. OUTPUT  
Connect the OUTPUT of the effect to your guitar amplifier or other INPUT of effect unit with the Φ 6.3 mm audio plug.
8. Power adapter Jack  
DC 9V (⊕⊖) Plug polarity is positive on the barrel and negative in the center)
9. VOLUME  
Adjust the volume

### Features

- True gain booster, double +/-15dB equalization to make the purest sound with lowest lossing
- Create the rich Distortion sound, and make it more powerful.
- True bypass provides transparent tone
- LED Indicator shows the working state.

### Specifications

- Input Impedance: 1M Ohms 1/4 Mono audio interface
- Output Impedance: 10K Ohms 1/4 Mono audio interface
- Working current: 7mA
- Power Supply: DC 9V (⊕⊖) Plug polarity is positive on the barrel and negative in the center)
- Dimensions: 95mm(D)\*45mm(W)\*48mm(H)  
Weight: 240g (with box)